



# S.H.G Cable

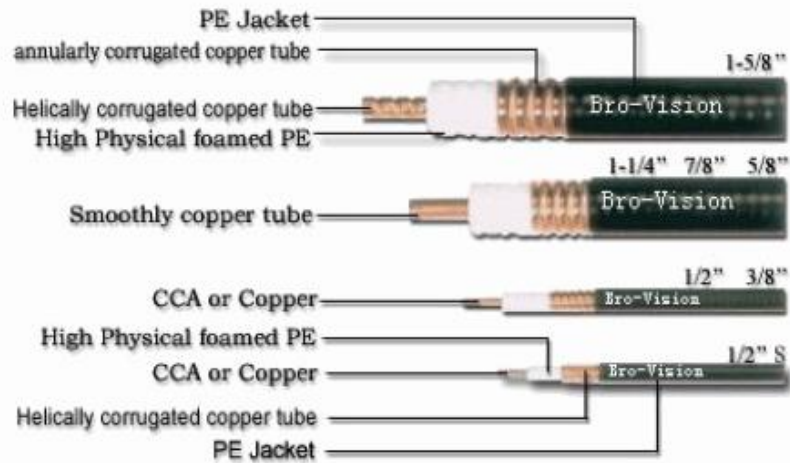
A member of SHG Group



5/8" 7/8" 1-1/4" 1-5/8"

50 ohms corrugated copper tube coaxial cable is made on advanced physical foaming insulation production line and argon arc welding, corrugating and slotting production line which are imported respectively from Austria and USA. Application: Base stati..

## 50Ω CORRUGATED CABLES



### 1. Construction (Diameter: mm)

Item	5/8"	7/8"	7/8" S	1-1/4"	1-1/4" S	1-5/8"
Inner conductor	7	9	9.35	13.1	13.5	17.3
Dielectric	18	22.3	22.3	33.3	33	43.5
Outer conductor	19.7	24.9	24.9	36	36	46.5
Jacket	21.9	27.5	27	38.6	38.6	49.5



## 2. Characteristics

Item		5/8"	7/8"	7/8" S	1-1/4"	1-1/4" S	1-5/8"
Min.bending radius (mm) [many times]		400	500	250	760	600	1020
Operating temperature (°C)	Standard jacket	-40°C ~ +70°C					
	Halogen-free / Fire-retardant jacket	-25°C ~ +70°C					
Construction weight (kg/m)	Standard jacket	400	530	430	980	860	1525
	Halogen-free / Fire-retardant jacket	535	635	535	1115	995	1615
Flat plate crush resistance (kg/mm <sup>2</sup> )			1.8	1.8	2.4		2.7
Max.pulling (kg)		115	147	102	290	280	330
DC resistance (Ω/km)	Inner conductor (CCA)	1.32	1	2.9	0.78	1.6	0.91
	Outer conductor	1.43	1.2	1.2	0.66	0.66	0.52
Velocity of propagation (%)		88	88	88	88	88	88
Insulation resistance (MΩ/Km)		>5000	>5000	>5000	>5000	>5000	>5000
Peak power rating (KW)		62	91	90	205	178	320
RF Peak power Voltage (KV)		2.5	3	3.1	4.3	4.2	5.7
Max.operating frequency (GHz)		6.5	5.2	4.9	3.7	3.4	2.8
Characteristic impedance (Ω)		50±1					
V.S.W.R (1M~3GHZ, Max)		1.15	1.15	1.15	1.15	1.15	1.15

## 3. Attenuation(@20°C) db/100m

Frequency	5/8"	7/8"	7/8" S	1-1/4"	1-1/4" S	1-5/8"
100MHz	1.49	1.17	1.3	0.82	0.88	0.67
200MHz	2.14	1.69	1.87	1.19	1.28	0.98
450MHz	3.28	2.6	2.85	1.85	2	1.53
800MHz	4.48	3.56	3.9	2.57	2.8	2.12
900MHz	4.77	3.8	4.15	2.74	2.95	2.28
1000MHz	5.06	4.03	4.42	2.92	3.15	2.42
1500MHz	6.42	5.08	5.53	3.7	4	3.09
1800MHz	7.02	5.61	6.12	4.12	4.5	3.45
2000MHz	7.46	6.05	6.52	4.39	4.75	3.68
2200MHz	7.87	6.4	6.9	4.63	5.05	3.91
2400MHz	8.27	6.75	7.35	4.88	5.35	4.13
2500MHz	8.6	6.9	7.65	5.01	5.5	4.24
3000MHz	9.41	7.6	8.25	5.63	6.15	

## 4. Average power rating(@Ambient 40°C,Inner conductor 100°C) KW

Frequency	5/8"	7/8"	7/8" S	1-1/4"	1-1/4" S	1-5/8"
100MHz	5.71	8.62	6.62	12.52	12	16.9
200MHz	3.97	5.99	4.6	8.64	8.26	11.6
450MHz	2.58	3.88	2.99	5.52	5.29	7.36
800MHz	1.89	2.83	2.19	4.03	3.81	5.26
900MHz	1.77	2.65	2.06	3.73	3.56	4.93
1000MHz	1.67	2.5	1.93	3.5	3.35	4.61
1500MHz	1.33	1.99	1.54	2.8	2.64	3.64
1800MHz	1.2	1.79	1.39	2.5	2.36	3.27
2000MHz	1.13	1.68	1.31	2.31	2.21	3
2200MHz	1.1	1.59	1.24	2.19	2.09	2.85
2400MHz	1.03	1.54	1.19	2.08	1.96	2.7
2500MHz	0.99	1.5	1.16	2.02	1.9	2.61